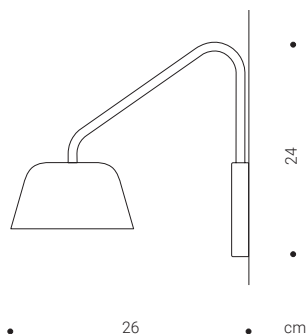


bels
TULIP W
 wall lamp

filumen®



Description

TULIP is a suitable addition to the BOWL light: much more compact and with numerous features, it expands the range of functions. The touch switch function in the wall puck makes it easy to use and clear in appearance. The arm can be swiveled horizontally, making it a functional bedside light. The replaceable LED retrofit GX53 lamp fits perfectly into the aluminum shade and ensures glare-free illumination. The result is a successful mixture of functionality and minimalism.

Frame

Wall puck and tube in steel, powder-coated

Shade

Aluminum, powder coated

Dimensions (dxhxb)

ø 13 x 24 x 26 cm

Light source

GX53, 5.5W 500lm 2700K (included; replaceable)

Energy class

F

Switch

On/Off touch-switch

Type of protection

IP20

Protection class

I

Mains voltage

220-240 V 50/60 Hz

Power

Depends on light source

Net weight

0,6 kg

Packing volume

0,023 m³

Options

Other colours possible with corresponding quantities

Certificates



Design

2020 Christian Finke, Tobias Bihlmeyer



Order code:

TULIP W_B

black

TULIP W_W

white

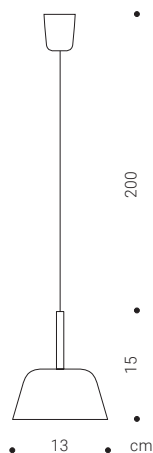
Black

White



bels
TULIP P
pendant lamp

filumen®



Description

TULIP P is the small counterpart to the BOWL lamp: the shade is much more compact - an ideal lamp for small tables and counters. The replaceable LED retrofit GX53 fits perfectly into the aluminum shade and creates a glare-free contemporary light.

Shade

Aluminum shade with steel tube, powder-coated black or white

Supply cable

PVC-cable, ca. 200 cm

Canopy

Plastic

Dimensions (dxh)

ø 13 x 15 cm

Light source

GX53, 5.5W 500lm 2700K (included; replaceable)

Energy class

F

Switch

External

Type of protection

IP20

Protection class

II

Mains voltage

220-240 V 50/60 Hz

Power

Depends on light source

Net weight

0,3 kg

Packing volume

0,045 m³

Options

Other colours possible with corresponding quantities

Certificates



Design

2021 Christian Finke

Order code:

TULIP P_B

black

TULIP P_W

white

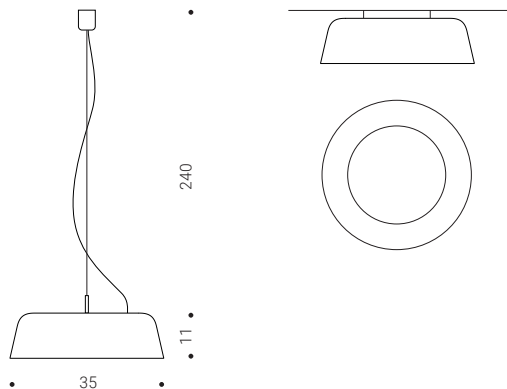
black

white



bels
BOWL
 pendant & mounting lamp

filumen®



Description

BOWL reinterprets the charm of old industrial lamps - both decorative and functional with a contemporary, built-in LED technology. The aluminum shade is available in 3 colors: black, gray and white. The top cover, the LED housing and the pendant are matt black for all versions. The bi-colour variant in black and orange is the only one with an anodized inner surface. The contrast gives the lamp an exciting look.

Shade

Aluminum, powder-coated

Dimensions (dxh)

Ø 35 x 11 cm

Diffuser

Acrylic glass-diffuser, satinized

Canopy

Plastic, black

Supply cable

PVC-cable black, 240 cm

Light source

LED-module AC 1500 Lm

Light colour / CRI

3000° Kelvin / >80RA

Light distribution

Directional

Lifetime

min. 50.000h

Energy class

A+

Dimmer

Triac

Type of protection

IP20

Protection class

I

Power

14,5W

Mains voltage

220-240V 50/60Hz

Net weight

2,0 kg

Packing volume

0,029m³

Optional

DC-LED module 2400lm, 2700K, dali dim.

Certificates



Design

2018, Christian Finke, Tobias Bihlmeyer

Model

Pendant lamp Ceiling lamp

Order code:

BOWL P_ACL_BL	BOWL MT_ACL_BL	black
BOWL P_ACL_GR	BOWL MT_ACL_GR	grey
BOWL P_ACL_WH	BOWL MT_ACL_WH	white
BOWL P_ACL_BI	BOWL MT_ACL_BI	bicolor

